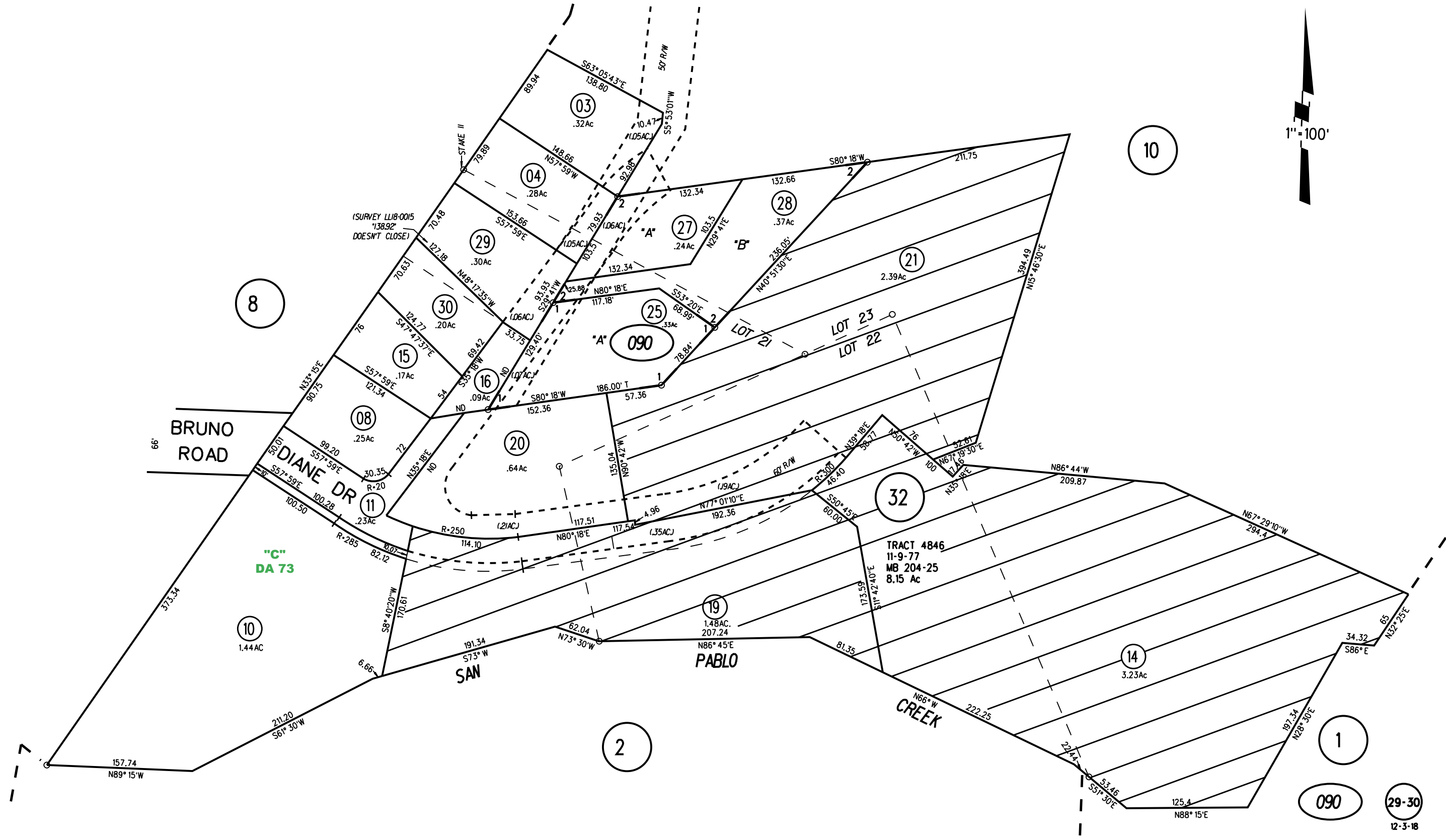
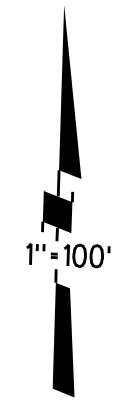


POR LOTS 21, 22, & 23 RANCHO EL SOBRANTE

1- 16P.M.1 -3-23-71

2- 21P.M.32 4-1-72



NOTE: THIS MAP WAS PREPARED FOR ASSESSMENT PURPOSES ONLY. NO LIABILITY IS ASSUMED FOR THE ACCURACY OF THE INFORMATION DELINEATED HEREON. ASSESSOR'S PARCELS MAY NOT COMPLY WITH LOCAL LOT SPLIT OR BUILDING SITE ORDINANCES.