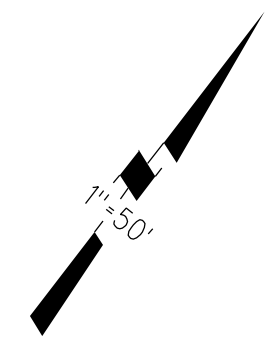
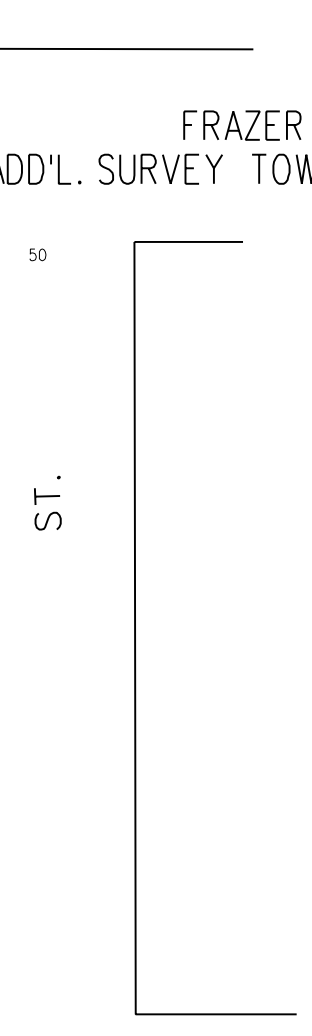
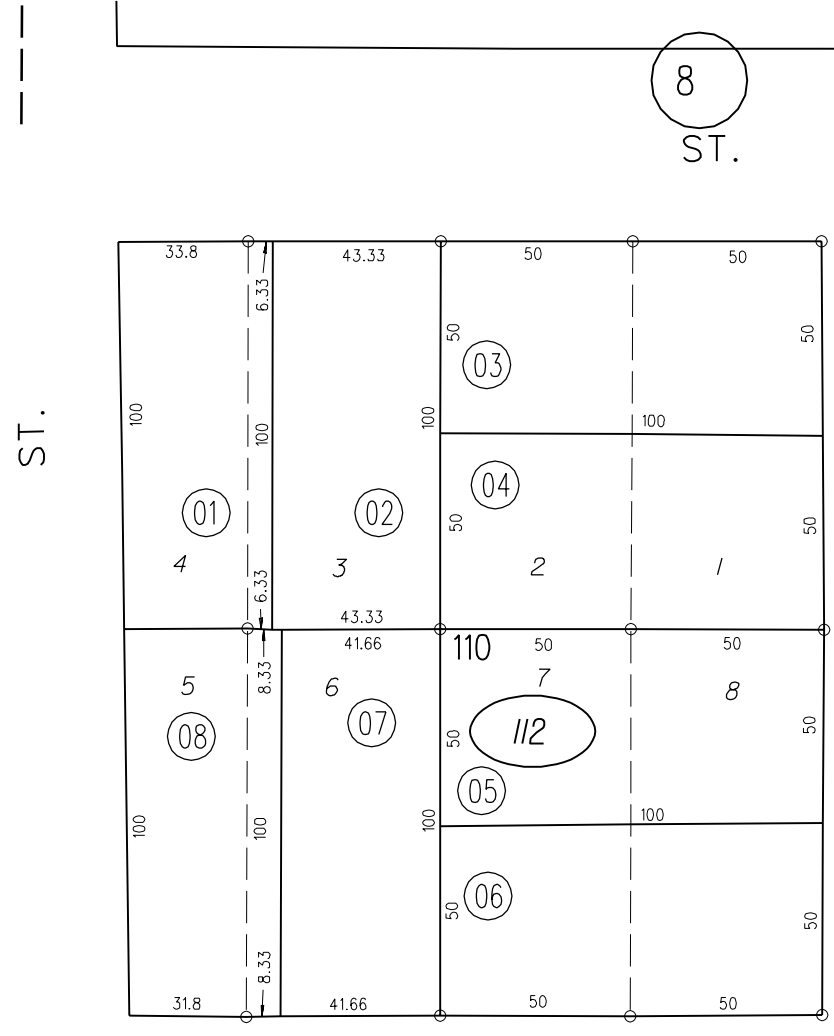
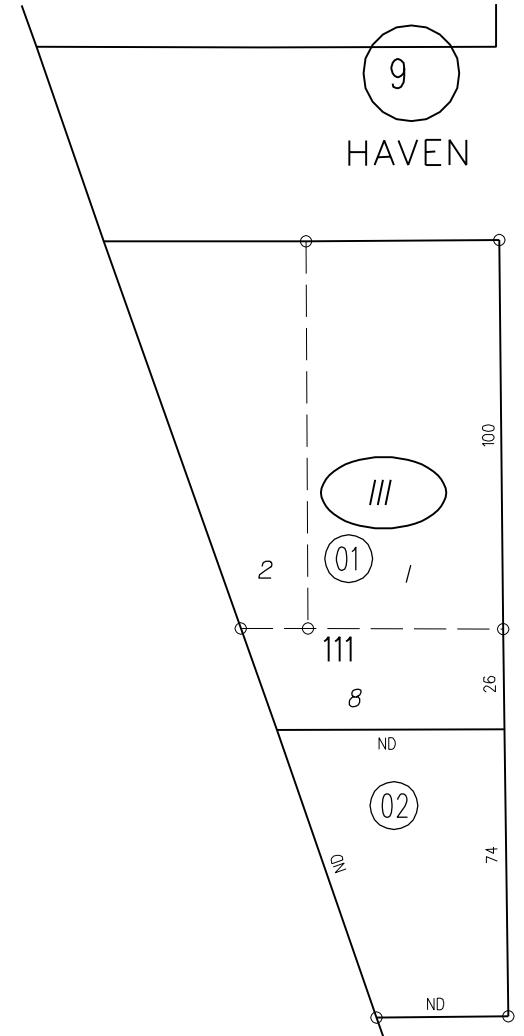


TAX CODE AREA

FRAZER ADD'N TO  
ADD'L. SURVEY TOWN OF MARTINEZ M B B-29



TO ALHAMBRA UNION HIGH SCH.  
278 OR 191-32

