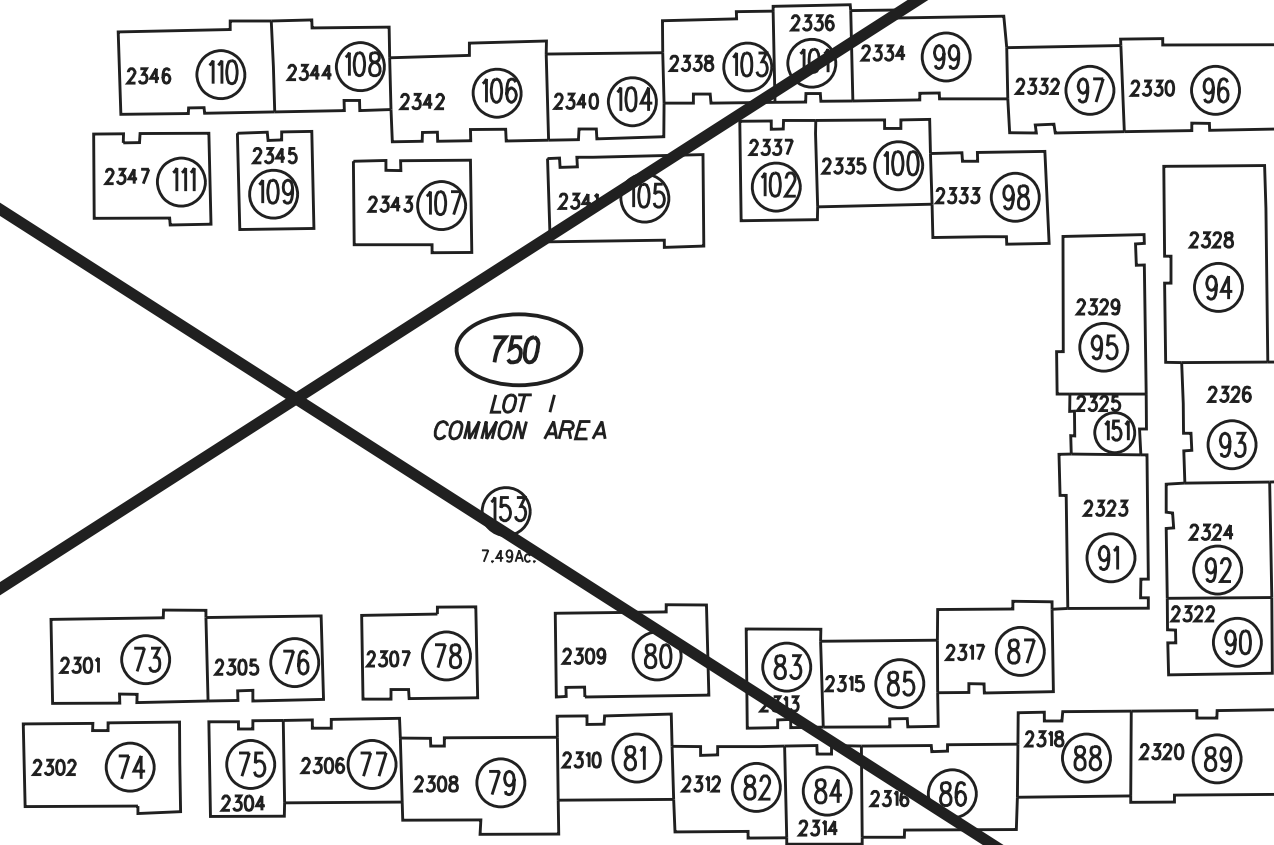


TO BK. 186-35S-3



THIRD LEVEL



FM.189/15 2-8-91

ASSESSOR'S MAP

Sanborn Date : 11/06/1999 BOOK 189 PAGE 75S-3

CONTRA COSTA COUNTY, CALIF.