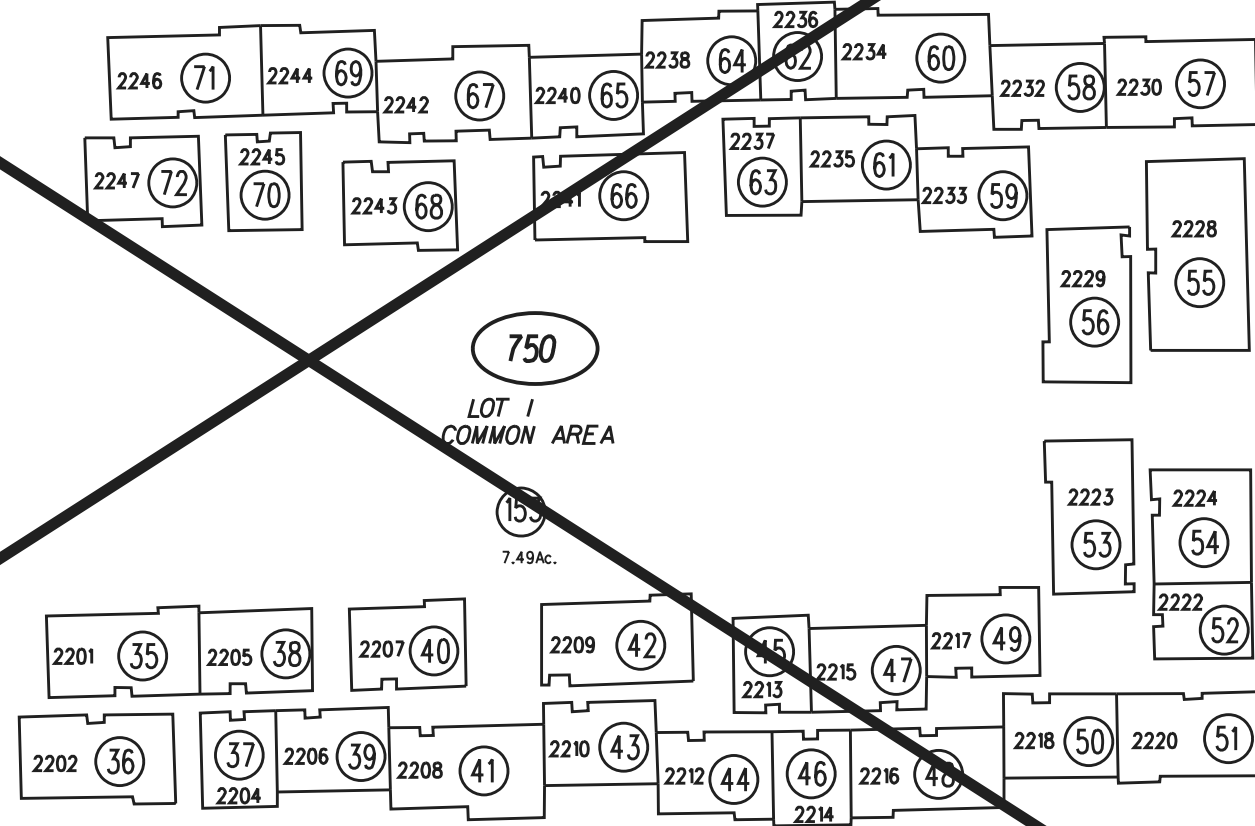


TO BK. 186-35S-2



SECOND LEVEL

750