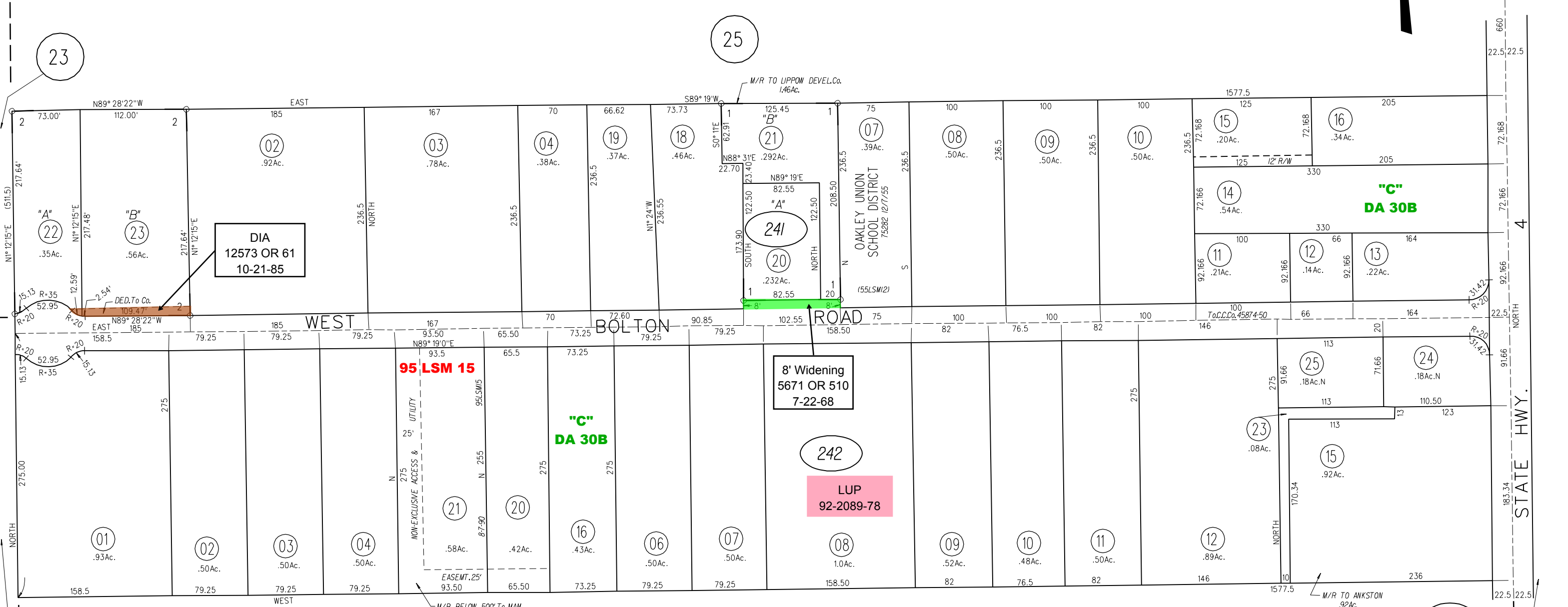
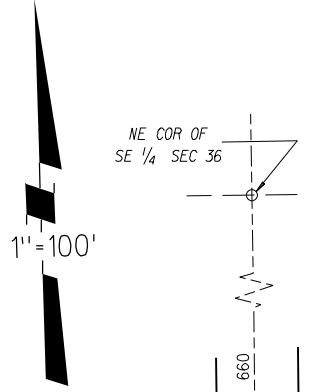


POR SE 1/4 SEC.36 T2N R2E MDBM

TAX CODE AREA

1969-1- 4-P.M.-32
2- 119 P.M. 8 & 9 -10-21-85



23

25

DIA
12573 OR 61
10-21-85

8' Widening
5671 OR 510
7-22-68

LUP
92-2089-78

22

21

241

242

PB
33

8-29-90
1961 ROLL
ASSESSOR'S MAP
BOOK 34 PAGE 24
104-22 CONTRA COSTA COUNTY, CALIF.