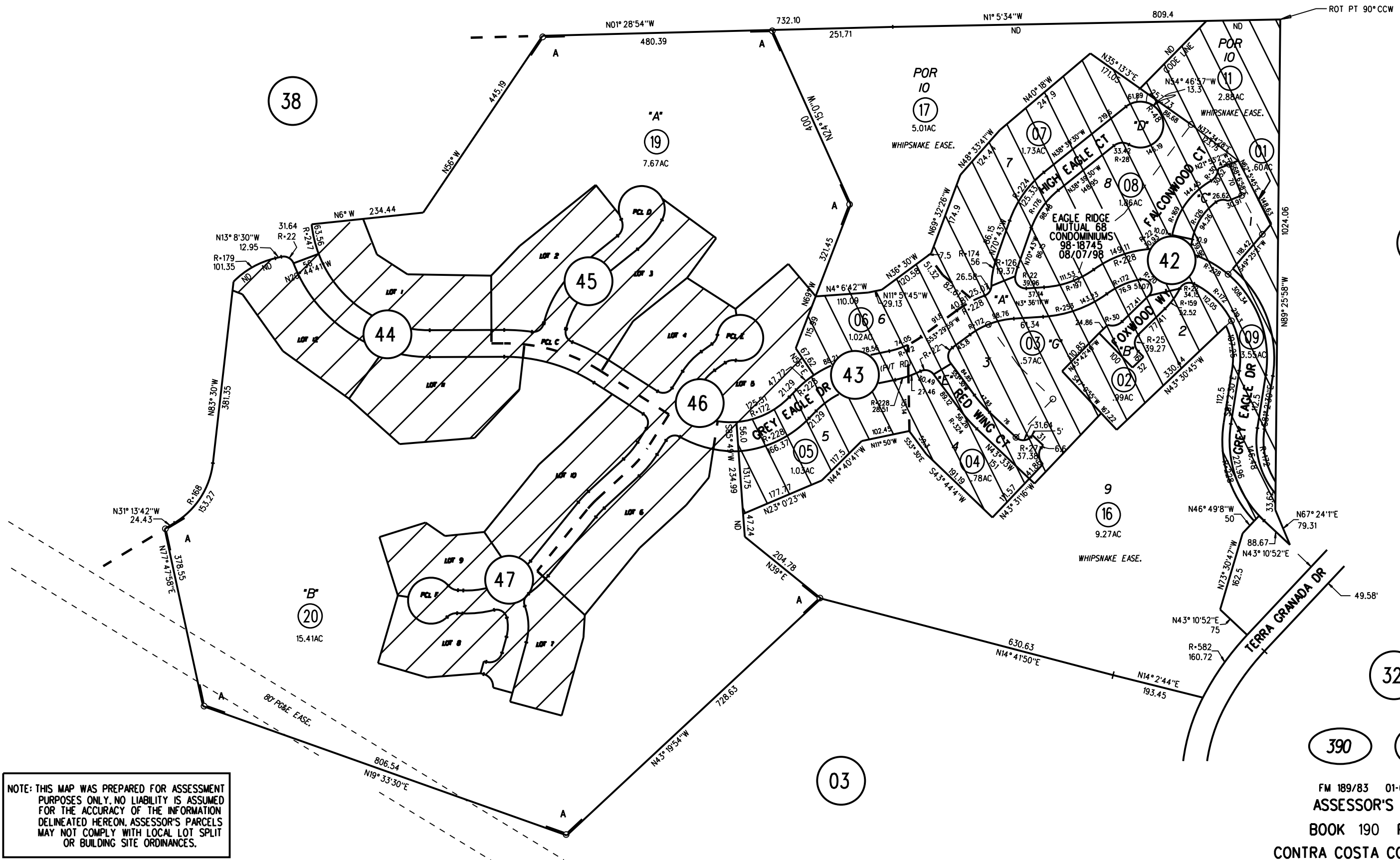
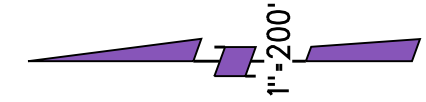


1998 ROLL-TRACT 8059 M.B. 396-26 (MUTUAL 68-CONDOS)
 A-2000 ROLL-POR. TRACT 8061 M.B. 402-13 (MUTUAL 68-CONDOS
 NEIGHBORHOOD 9)
 EAGLE RIDGE PHASE 2

BK
191



NOTE: THIS MAP WAS PREPARED FOR ASSESSMENT PURPOSES ONLY. NO LIABILITY IS ASSUMED FOR THE ACCURACY OF THE INFORMATION DELINEATED HEREON. ASSESSOR'S PARCELS MAY NOT COMPLY WITH LOCAL LOT SPLIT OR BUILDING SITE ORDINANCES.