

DEVONSHIRE LANE

44

LANCASTER LANE

35

LANE
CHADWICK

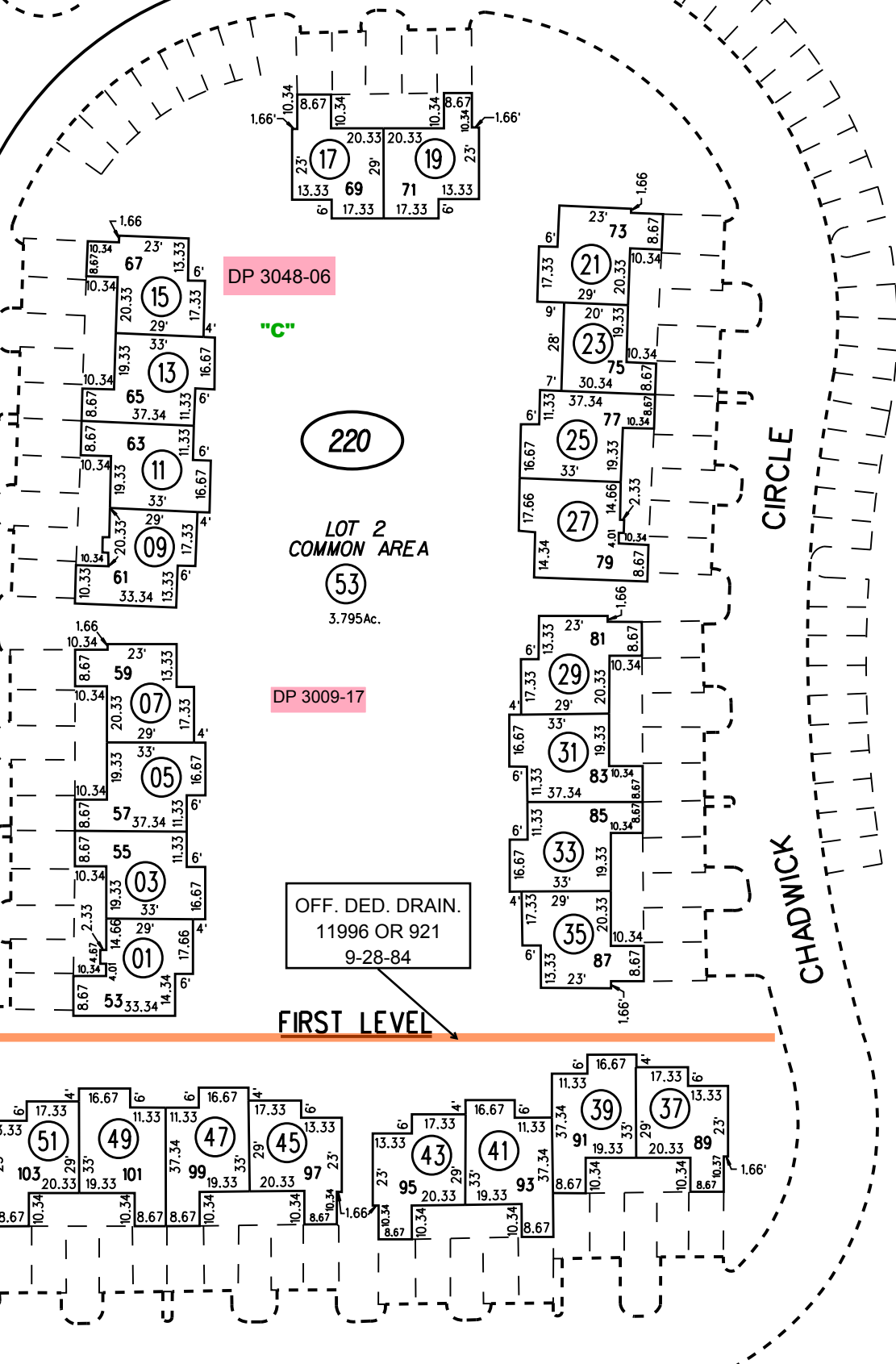
27

26

26

CIRCLE

CHADWICK



DP 3048-06

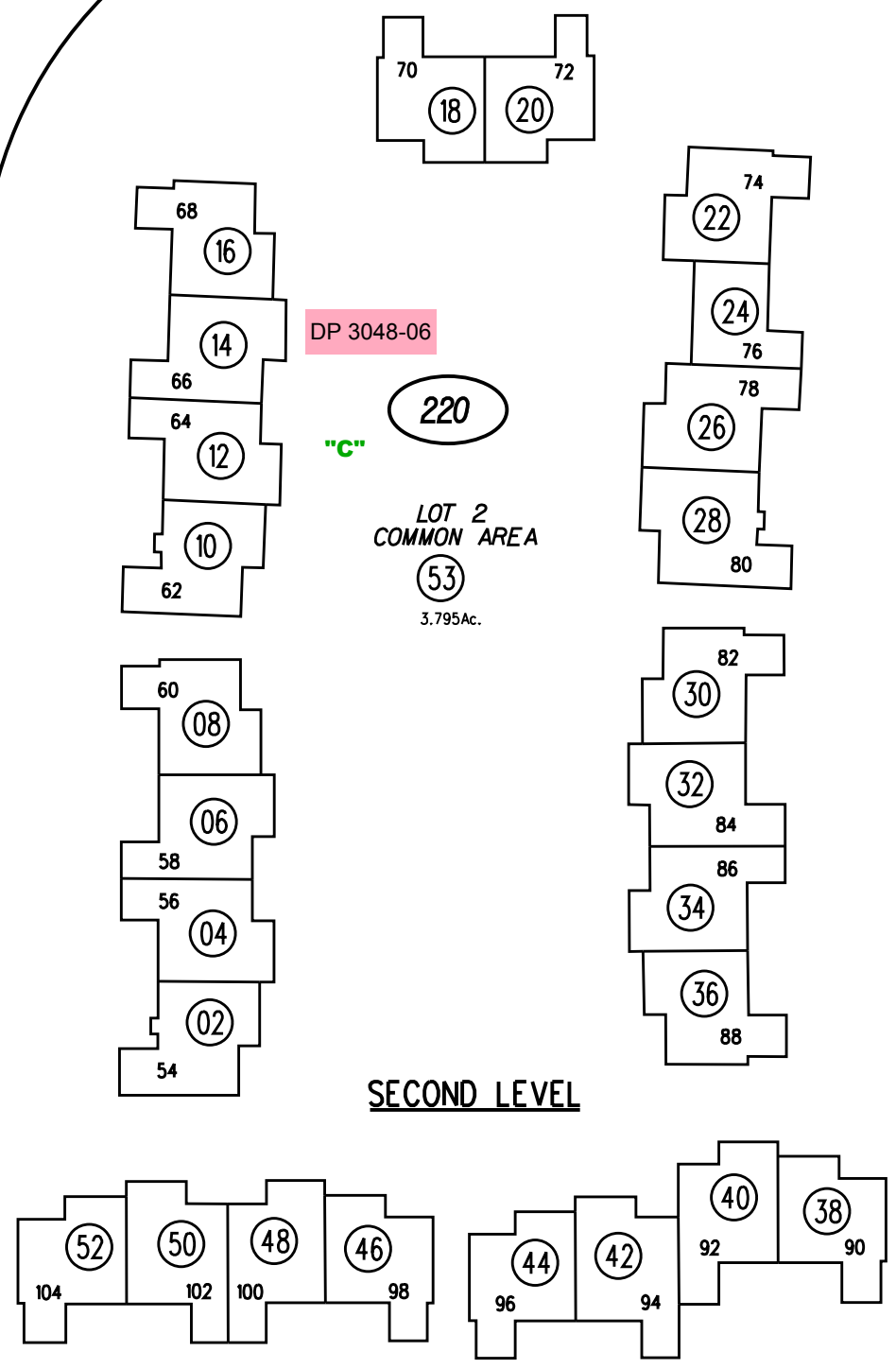
"C"

220
 LOT 2
 COMMON AREA
 53
 3.795Ac.

DP 3009-17

OFF. DED. DRAIN.
 11996 OR 921
 9-28-84

FIRST LEVEL



DP 3048-06

"C"

220
 LOT 2
 COMMON AREA
 53
 3.795Ac.

SECOND LEVEL

220

NOTE: THIS MAP WAS PREPARED FOR ASSESSMENT PURPOSES ONLY. NO LIABILITY IS ASSUMED FOR THE ACCURACY OF THE INFORMATION DELINEATED HEREON. ASSESSOR'S PARCELS MAY NOT COMPLY WITH LOCAL LOT SPLIT OR BUILDING SITE ORDINANCES.